

SmartWeight[®] HN

High-capacity balancer with a simple interface



Key features at a glance

PATENTED

SmartWeight® technology



- ✓ Improves balance
- ✓ Minimizes weight usage
- ✓ Maximizes productivity

STANDARD

Intuitive interface



- ✓ Single-knob navigation simplifies experience
- ✓ 3D graphics

EXCLUSIVE

On-demand videos



- ✓ Simplifies training
- ✓ Improves results



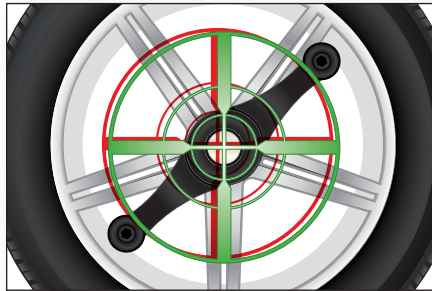


SWHNOOE shown with optional BullsEye® collets, wheel lift, and Hammerhead TDC assist



High performance motor

- ✓ Handles large assemblies
- ✓ Increases balancer life
- ✓ Reduces cycle time



PATENTED

CenteringCheck®

- ✓ Ensures proper centering
- ✓ Eliminates setup errors and most common cause of comebacks



STANDARD

Bottom-dead-center laser

- ✓ Speeds tape-weight placement
- ✓ Improves accuracy



Heavy gauge steel tub

- ✓ Balance the heaviest assemblies
- ✓ Ensures years of service in the highest volume shops

EXCLUSIVE

Single-knob interface simplifies experience

50g

Clearly indicates correction weight amount



Rim cutaway displays selected weight mode

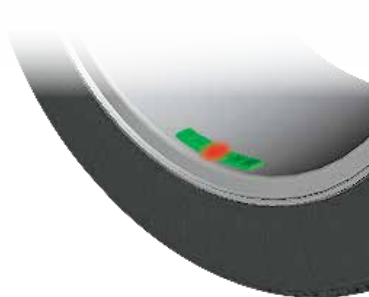


Switch text language

Balancing interface at a glance



Display rim dimensions



TruWeight® provides lifelike representations of actual correction weights



SmartWeight® panel displays wheel balance condition

Achieve the best balance with SmartWeight®

Save time & effort

- ✓ Single-weight solutions as much as **60% of the time.**
- ✓ Saves labor versus traditional two-weight solutions

Accommodate many wheel types

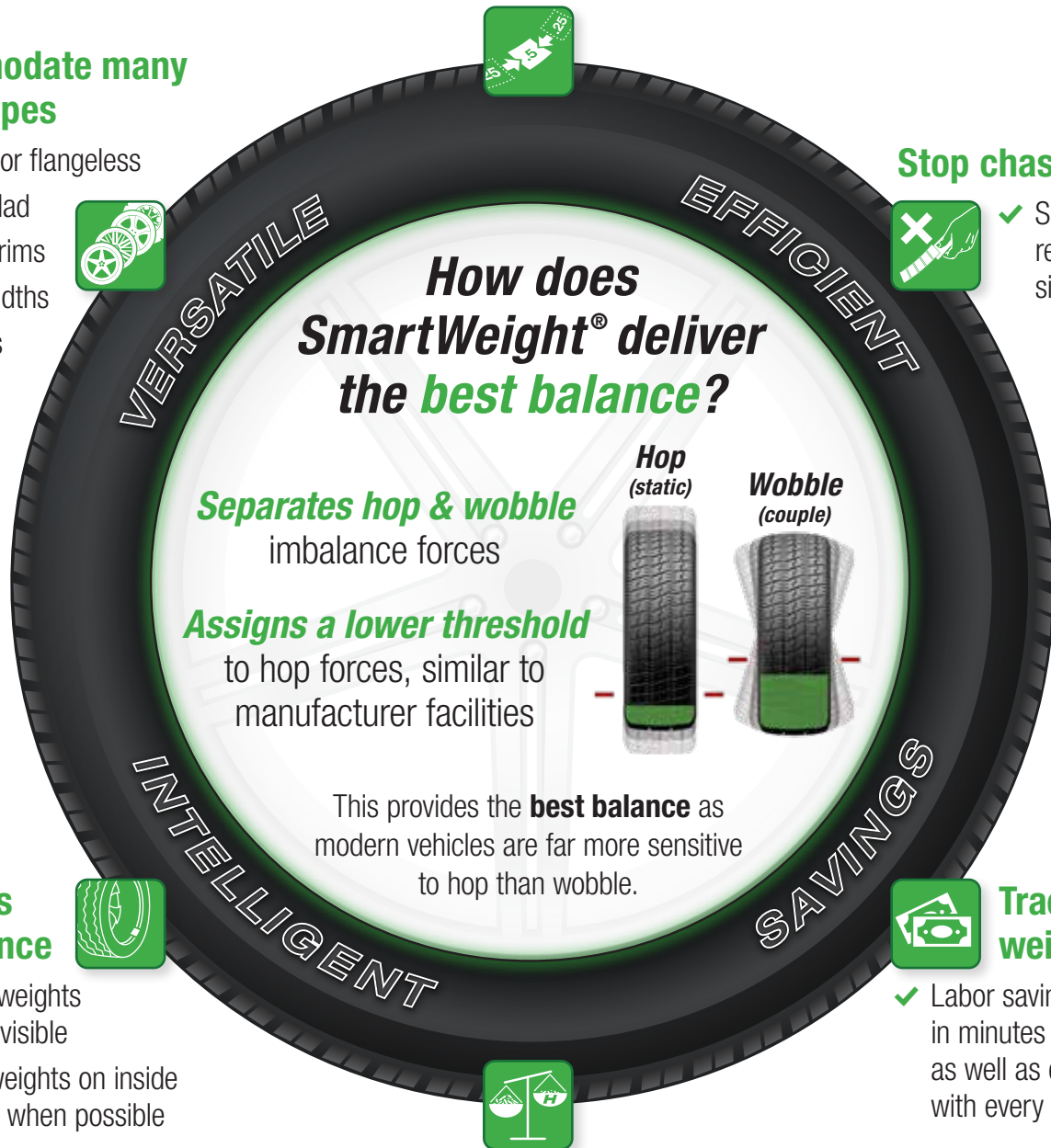
- ✓ Flanged or flangeless
- ✓ Plastic clad
- ✓ Colored rims
- ✓ Wider widths
- ✓ Run flats



Stop chasing weights



- ✓ Superior balance results in a single spin



How does SmartWeight® deliver the best balance?

Separates hop & wobble
imbalance forces

Assigns a lower threshold
to hop forces, similar to
manufacturer facilities

Hop
(static)

Wobble
(couple)

This provides the **best balance** as
modern vehicles are far more sensitive
to hop than wobble.

Improves appearance



- ✓ Smaller weights are less visible
- ✓ Places weights on inside of wheel when possible



Track labor & weight savings

- ✓ Labor savings shown in minutes and hours as well as dollars with every spin.

Reduce weight usage

- ✓ **30% less weight used**
- ✓ Save money on every balance



Did you know?

Modern vehicles are approximately 4 times more sensitive to hop forces than wobble. Conventional balancers treat both the same.

Exclusive features make balancing faster and easier



On-screen instruction

- ✓ High-definition videos provide instruction on a variety of balancing topics
- ✓ Covers basic techniques and advanced procedures
- ✓ On-site training for your technicians
- ✓ Multiple languages



3D graphics

- ✓ Interactive display guides technicians through balancing procedures.
- ✓ Decreases training time



PATENTED

Automatic Mode Detection

- ✓ Eliminate the need to select the balance mode
- ✓ Reduce service time and possible mode entry errors
- ✓ No need to push buttons



Spindle-Lok Footpedal

- ✓ Holds wheel while technician tightens wingnut
- ✓ Improves balance results

Popular equipment upgrades



PATENTED

HammerHead® top-dead-center laser

- ✓ Greater weight placement accuracy to avoid mistakes
- ✓ More single-spin balances improve productivity
- ✓ Overhead fluorescent light illuminates work area



✗ Incorrect



✓ Correct



BullsEye® centering system

- ✓ Optimize centering
- ✓ Prevent wheel damage



Ergonomic QuickNut

- ✓ Fast clamping with collapsing jaws
- ✓ Comfort-grip handles



Wheel lift

- ✓ Avoid strain
- ✓ Safely service heavy, oversized wheels
- ✓ Aids wheel centering

Adjustable Flange Plate & Stud Kit

- ✓ Adjustable design with interchangeable pins protects wheel faces while providing quick setup and universal fitment
- ✓ Pins with compressible studs provide more accurate centering when clamping on uneven wheel lug seat surfaces



Specifications



SWHNOOE
shown

Power requirements

196–253V, 10 amp, 50/60 Hz, 1 ph
(Power cable includes: NEMA 20 amp plug, L6-20P)

Air supply requirements

100–175 psi (7–12 bar)*

Capacity

Rim width	1.5 – 20.5 in. (38 – 521 mm)**
Rim diameter	10 – 30 in. (254 – 762 mm)**
ALU	14 – 40 in. (356 – 1016 mm)**
Max. tyre diameter	44 in. (1118 mm)
Max. tyre width	20 in. (508 mm)
Max. tyre weight	175 lbs. (79 kg)
Imbalance resolution	± 0.01 oz (0.28 g)
Placement accuracy	512 positions, ± 0.35°
Balancing speed	300 rpm
Motor	Programmable drive system and DC motor

* Wheel lift models only.

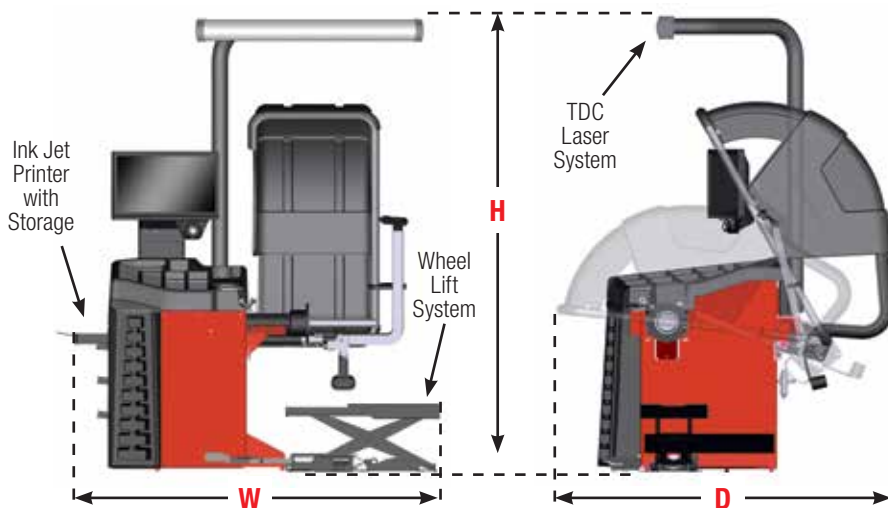
** Extreme wheel sizes may require manual data entry.

SWHNOOE

Width (W)	56.5 in 1435 mm
Height (H)	73 in 1854 mm
Depth (D)	62 in 1575 mm
Weight	479 lb 217 kg

Optional equipment

- 20-3495-1** HammerHead® top-dead-center laser
- 20-3101-1** Wheel lift
- 20-2747-1** BullsEye® collet kit
- 76-574-2** Ergonomic QuickNut
- 20-3698-1** Flange plate



Because of continuing technological advancements, specifications, models and options are subject to change without notice.



SmartWeight, BullsEye, HammerHead, CenteringCheck and TruWeight are registered trademarks of Hunter Engineering Company.



HUNTER

Engineering Company

www.hunter.com

11250 Hunter Drive, Bridgeton, MO 63044, USA
Tel: 1-314-731-3020, Fax: 1-314-731-0132
Email: international@hunter.com