

# Maverick™ Tyre Changer

*Power and precision made easy*

**NEW**

**MADE  
IN USA** ★  
*USING THE FINEST US & GLOBAL MATERIALS*



# Key features At-A-Glance

## EXCLUSIVE

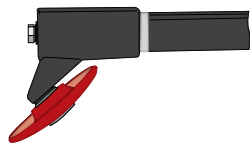
### Groundbreaking Responsive Controls

- ✓ Fine control or fast on-demand
- ✓ Hydraulic precision easier than air controls
- ✓ Ergonomic for all day use
- ✓ Excellent tactile feedback — one-finger control for all functions



More Pressure  
= More Speed

Less Pressure  
= Finer Control



## PATENT PENDING

### Articulating Leverless System



- ✓ All tools automatically sync to rim diameter
- ✓ Rim diameter retained for maximum efficiency of wheel sets





TCM shown with optional wheel lift

**EXCLUSIVE**  
**Intelligent Safety and Productivity**

- ✓ Monitors roller and hook positions
- ✓ Prevents unintended wheel contact
- ✓ Logic automatically “homes” rollers, head, and wheel lift for hands-free productivity
- ✓ Smart software: customize travel and rotate speeds, ramp rate, and more



**EXCLUSIVE**  
**InflationStation™**

- ✓ Inflates at the press of a button
- ✓ Allows operator to walk away while filling
- ✓ 33% faster than standard inflation systems

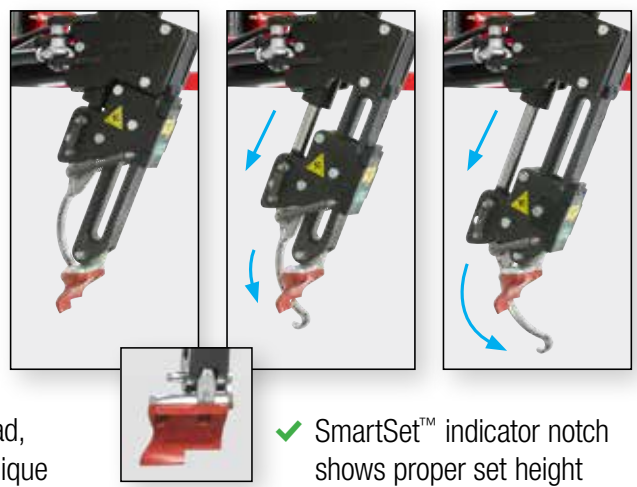


**Variable Speed Rotation**

- ✓ 0-17 RPM for fast cycle times
- ✓ Fully variable *reverse* rotation for maximum control

**EXCLUSIVE**  
**SmartSet™ Leverless Head**

- ✓ Demounting hook deploys to catch and lift bead
- ✓ Mount head works with clad, raised spoke, and other unique wheel designs



- ✓ SmartSet™ indicator notch shows proper set height

# Technician-Focused Features

PATENT PENDING

*Control console is built around the technician*

- ✓ Intuitive layout allows full focus on the tyre
- ✓ Padded wrist rest prevents fatigue
- ✓ Ample, accessible storage for tools, kits, and accessories



EXCLUSIVE

*SmartSet™ leverless advantages*

- ✓ Demounting hook deploys to catch and lift bead
- ✓ No risk of lever damage to operator or rim
- ✓ Mount head works great with clad, raised spoke and other unique wheel designs
- ✓ SmartSet™ indicator notch shows proper set height



PATENT PENDING

## RollerLock™ clamp

- ✓ Ball bearing threads clamp quickly and tightly
- ✓ Lever handles multiply clamping force
- ✓ Smooth shaft reduces center bore damage risk



## Hydraulic operation

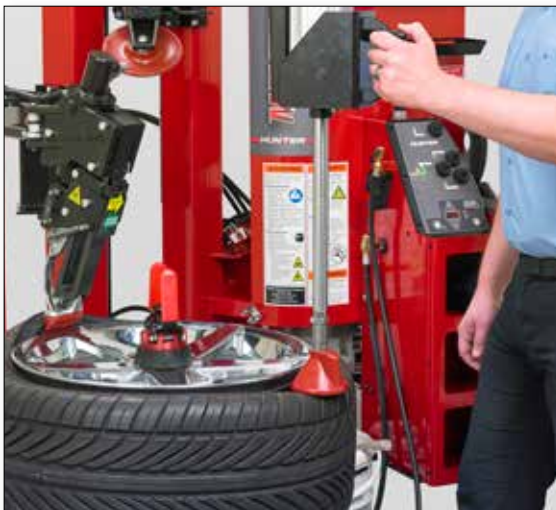
- ✓ Self-contained hydraulics provide reliability
- ✓ Each tool can be moved quickly, slowly, or held as needed
- ✓ No erratic movement when loaded and unloaded
- ✓ Compressed air contamination not a factor



PATENT PENDING

## Double-duty bead press

- ✓ Plenty of power for tough applications
- ✓ Bead ledge allows pusher to be used as a lifting device also



**EXCLUSIVE**

## *InflationStation™ boosts productivity*

InflationStation™ automatically fills tyre to desired pressure.

- ✓ Operator stands back or even walk away from inflation
- ✓ 33% faster than traditional foot pedal inflation systems



*Blast inflation directs large blast of air for tough bead seating.*



## *Match-mounting*



The Maverick™ tyre changer's bead rollers allow spinning of tyre on rim, helping match-mount stiffest point on tyre to low spot on rim.

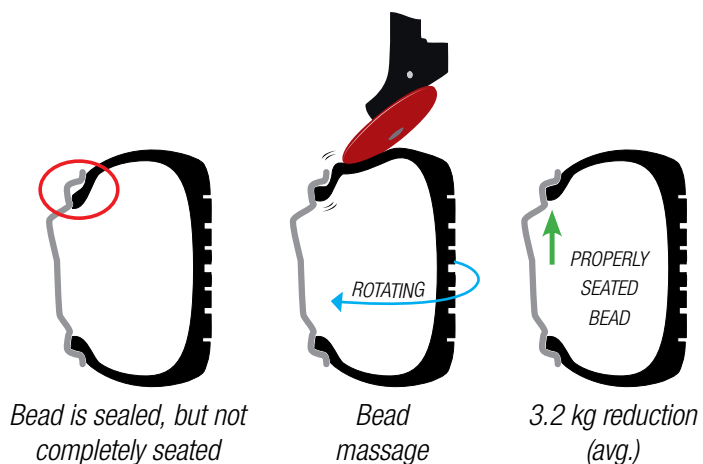


When used with Hunter's Road Force Elite®, the Maverick™ quickly and easily helps eliminate vibration problems balancers alone can't fix.

## **Bead Massage**

During bead massage, rollers apply force to the tyre walls, assisting proper bead seating and reducing vibration concerns.

When combined with Road Force® match-mounting, virtually all vibrations can be eliminated.



# Standard Accessories

The standard Maverick™ tyre changer comes equipped to handle virtually all tyre and wheel combinations.

<b>A</b>	RP6-3784	Paste
<b>B</b>	RP6-1506	Paste brush
<b>C</b>	69-1394-2	Pin protector (2)
<b>D</b>	221-759-2	Valve core remover
<b>E</b>	221-659-2	Bead starting tool
<b>F</b>	RP11-2020688	Valve puller
<b>G</b>	192-233-1	In-between cone (2)
<b>H</b>	192-225-1	Small polymer cone (2)
<b>I</b>	192-226-1	Double-sided polymer cone (2)
<b>J</b>	111-154-1	Spare roller
<b>K</b>	179-15-2	Glasses
<b>L</b>	221-810-2	Polymer mount head (2)
<b>M</b>	69-1392-2	Rubber platten cover (2)



# Optional Accessories

The following options can be used to enhance serviceability of specialized applications.



## Flange plate kit — 20-3158-1

Ideal for plastic clad wheels or reverse wheels where maximum protection is needed. Maximum diameter 240 mm.



## Dual wheel adaptor — 20-2964-1

Optional adaptor adds clamping capability for dual wheels, 19.5 in. wheels, and wheels with large center holes.



## Thick bead kit — 20-3160-1

Wider hook for thicker beads. Suitable for skid steer, load range G-H-J-tyres. Plus, reverse wheel plate for 19.5- and 17.5-in. rims.



## Flange plate accessory pin kit — 20-3675-1

For wheels with extreme lug hole and lug depth variances. 48.3 mm minimum length pins included. Extensions add 30.5 mm, for a total pin length of 129.5 mm.

## Compact wheel lift — 20-3884-1

- ✓ Lifts the heaviest assemblies with ease
- ✓ Auto lowering saves time and prevents damage
- ✓ Configurable pedal operation

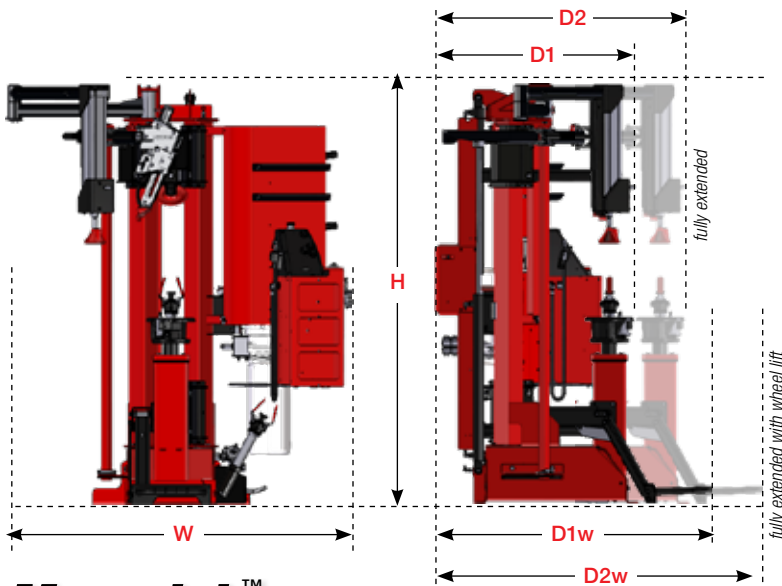


# Specifications

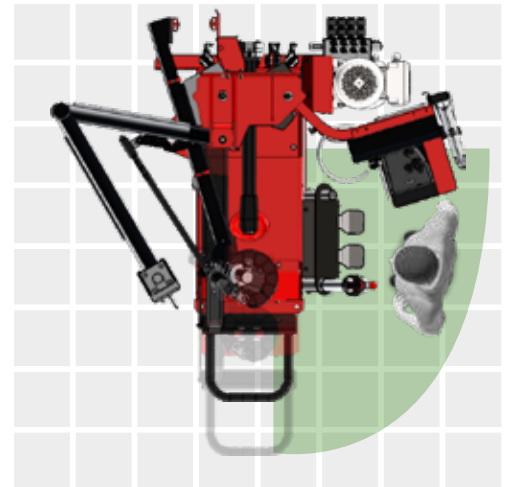
**MADE IN USA**  
USING THE FINEST US & GLOBAL MATERIALS



<b>Power Requirements</b>	<b>TCM:</b> 208-230V, 1Ph, 60Hz, 18A <b>TCME-215:</b> 208-230V, 1Ph, 50Hz, 18A <b>TCME-435:</b> 230-380V, 3Ph, 50Hz, 10/6A
<b>Air Supply Requirements</b>	8.6 ± 1.7 bar (125 ± 25 psi)
<b>Mount / Demount Tool</b>	Polymer head w/ Leverless
<b>Clamping Type</b>	Center w/RollerLock
<b>Bead Loosening Type</b>	Upper / Lower Roller
<b>Match Mounting Capable</b>	Yes
<b>Rim Diameter Range</b>	254 mm – 864mm (10 in. – 34 in.)
<b>Maximum Tyre Diameter</b>	1270 mm (50 in.)
<b>Maximum Wheel Width</b>	483 mm (19 in.)
<b>Drive</b>	Variable up to 17 rpm Clockwise/Counter Clockwise Torque: 949 Nm (700 ft-lbs)
<b>Shipping Weight</b>	550 kg (1211 lbs)



Machine can be placed right against a wall for maximum space efficiency.



## Maverick™

	Width (W)	Height (H)	Depth (D1)	Depth (D2)	Weight
<b>TCM</b> (standard)	1346 mm 53 in	1956 mm 77 in	1168 mm 46 in	1448 mm 57 in	483 kg 1065 lbs
<b>TCM</b> (with wheel lift)			1524 mm 60 in	1803 mm 71 in	514 kg 1132 lbs

Because of continuing technological advancements, specifications, models and options are subject to change without notice.

0323AH

Copyright © 2023, Hunter Engineering Company

**HUNTER**  
Engineering Company

[www.hunter.com](http://www.hunter.com)

11250 Hunter Drive, Bridgeton, MO 63044, USA  
Tel: 1-314-731-3020, Fax: 1-314-731-0132  
Email: [international@hunter.com](mailto:international@hunter.com)

Form CB08056-05, 03/23